



# G5138PL

## Digital QR Primary-Side Power Switch

### 1.0 General Description

The G5138PL is a high performance AC/DC power supply controller which uses digital control technology to build peak current mode PWM flyback power supplies. The device operates in quasi-resonant mode to provide high efficiency along with a number of key built-in protection features while minimizing the external component count, simplifying EMI design and lowering the total bill of material cost. The G5138PL removes the need for secondary feedback circuit while achieving excellent line and load regulation. It also eliminates the need for loop compensation components while maintaining stability over all operating conditions. Pulse-by-pulse waveform analysis allows for a loop response that is much faster than traditional solutions, resulting in improved dynamic load response for both one-time and repetitive load transients. The built-in power limit function enables optimized transformer design in universal off-line applications and allows for a wide input voltage range. GlobalSemi's innovative proprietary technology ensures that power supplies built with the G5138PL can achieve both highest average active efficiency and have fast dynamic load response in a compact form factor in typical applications.

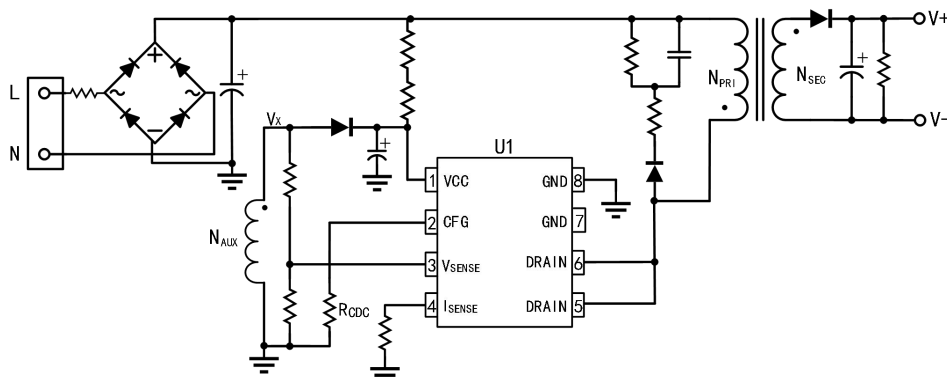
#### Features

- ◆ No-load power consumption < 75 mW at 230 VAC along with fast dynamic load response
- ◆ Tight constant-voltage and constant-current regulation across line and load range
- ◆ Primary-side feedback eliminates opto-isolators and simplifies design
- ◆ Proprietary optimized 90 kHz maximum PWM switching frequency with quasi-resonant operation achieves best size, efficiency and common mode noise
- ◆ Adaptive Multi-mode PWM/PFM control improves efficiency
- ◆ No external loop compensation components required
- ◆ User-configurable 5-level cable drop
- ◆ Complies with EPA 2.0 energy-efficiency specifications with ample margin
- ◆ Built-in single-point fault protection features: output short-circuit protection, output over-voltage protection, over-current protection, current-sense-resistor fault protection.
- ◆ No audible noise over entire operating range

#### Applications

- Compact AC/DC adapter/chargers for media tablets and smart phones
- AC/DC adapters for consumer electronics

#### TYPICAL Application



## G5138PL

### Digital Green-Mode QR Primary-Side PWM Power Switch

## 2.0 Products Information

### 2.1 Pin configuration

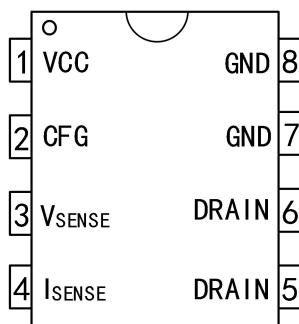


Figure2.1: G5138PL Series (8 Lead DIP8 Package)

Pin#	Name	I/O	Description
1	VCC	Power Input	Power supply for the controller during normal operation. The controller will start up when VCC reaches 14.0 V (typical) and will shut down when the VCC voltage drops below 6.5 V (typical). A decoupling capacitor of 0.1 $\mu$ F or so should be connected between the VCC pin and GND.
2	CFG	Analog Input	Used to configure external cable drop compensation (CDC) at the beginning of start-up and provide accurate over-voltage protection during normal operation by sensing output voltage via auxiliary winding.
3	V <sub>SENSE</sub>	Analog Input	Sense signal input from auxiliary winding. This provides the secondary voltage feedback used for output regulation..
4	I <sub>SENSE</sub>	Analog Input	Primary current sense. Used for cycle-by-cycle peak current control and limit.
5/6	DRAIN	Output	HV MOSFET Drain Pin. The Drain pin is connected to the primary lead of the transformer
7/8	GND	Ground	Ground.

